

HANWOO CONCRETE PUMP

HCP43X

- ▶ Dedicated to value
- ▶ Dedicated to quality
- ▶ New working class concrete pump



Standard features

- 4 section roll and fold boom
- X front and swing-out rear outriggers
- HBC proportional radio remote
- Hard chromed cylinders
- E-Z Clean Hopper
- Tungsten carbide wear plate and ring
- Hydraulically driven water pump

Optional Items

- Auto Lub. system (Hopper / Boom)
- Delivery pipe (Twin wall / induction Hardened)
- Vibrator on hopper
- Outrigger Pads
- Light Kit package
- Chassis : Scania, Hyundai, etc.
- Custom paint



 HANWOO

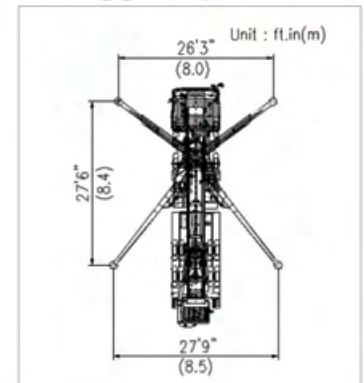
HANWOO CONCRETE PUMP TRUCK

HCP43X

Dimension



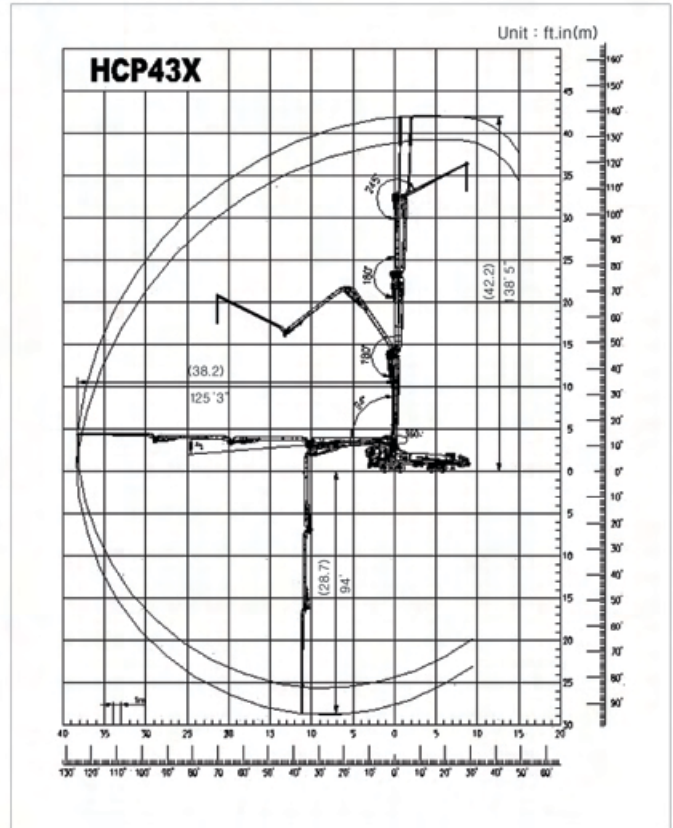
Outrigger Spread



Technical Data

Item	Unit	Data	
Boom Specifications			
Boom Type	-	4-R-TYPE	
Max. Vertical Reach	ft.in (m)	138'5" (42.2)	
Max. Horizontal Reach	ft.in (m)	125'3" (38.2)	
Depth Reach	ft.in (m)	9'4" (28.7)	
End Hose Length	ft.in (m)	9'8" (3)	
Delivery Pipe Diameter	in (mm)	5" (125)	
Boom Slewing Speed	rpm	0.4	
Boom Slewing Range	°	360	
Outrigger Type			
Front Outrigger	-	X-Type, Hyd. Extended	
Rear Outrigger	-	Hyd. Swing Out	
Radio Remote Control	ft (m)	1,640 (500)	
Pump Specifications			
Pump Model	-	BSF2115	
Main Pump	-	A4VG125 x 2	
Delivery Cylinder	Inner Diameter	in (mm)	9" (Ø 230)
	Stroke	in (mm)	83" (2,100)
Drive Cylinder	Cylinder Diameter	in (mm)	5 1/8" (Ø 140)
	Rod Diameter	in (mm)	3 1/8" (Ø 80)
	Rated Pressure	psi (bar)	5,075 (350)
Max. Theoretical Concrete Output	yd³/h (m³/hr)/option	196(150)	
Max. Real Concrete Output	yd³/h (m³/hr)/option	176 (135)	
Max. Theoretical Concrete Pressure	psi (bar)	1,233 (85)	
Transfer Tube	-	S-Valve type	
No. of Delivery Cylinder	-	2	
Volume of Hopper	gal (ℓ)	158 (600)	
Volume of Water Tank	gal (ℓ)	105 (400)	
Cleaning Method	-	Sponge ball&Water clean	
Truck-mounted Specifications			
	Based on Model	DAEWOO M9A	
Overall Length	ft.in (mm)	44'5" (13,580)	
Overall Width	ft.in (mm)	8'2" (2,495)	
Overall Height	ft.in (mm)	13' (3,950)	
Wheel base	ft.in (mm)	6'1"+12'4"+4'4" (1,880+3,780+1,350)	
Weight	pound (kg)	70,327 (31,900)	
Drive	-	8 x 4	
Engine Model	-	DV11	
Max. Output	ps / rpm	420 / 1,800	
Max. Speed	mile/hr (km/hr)	61 (99)	
Tire	Front	-	12R22.5-16PR
	Rear	-	12R22.5-16PR

Working Range



Distributed by