

SOLAR 300 LCV SLR

Operating Weight:

30.700 kg

Bucket capacity (SAE):

0,45 ~ 0,54 m³

Engine Power:

147 kW (197 Hp) / 1.900 rpm

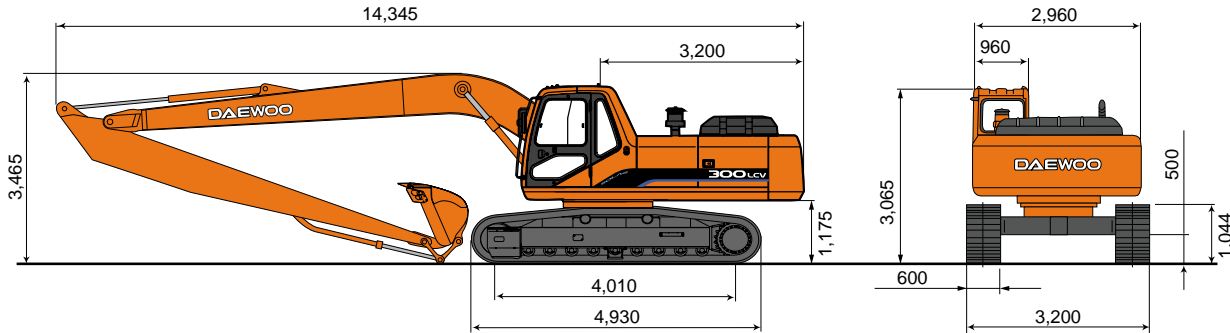


www.eurodaewoo.com

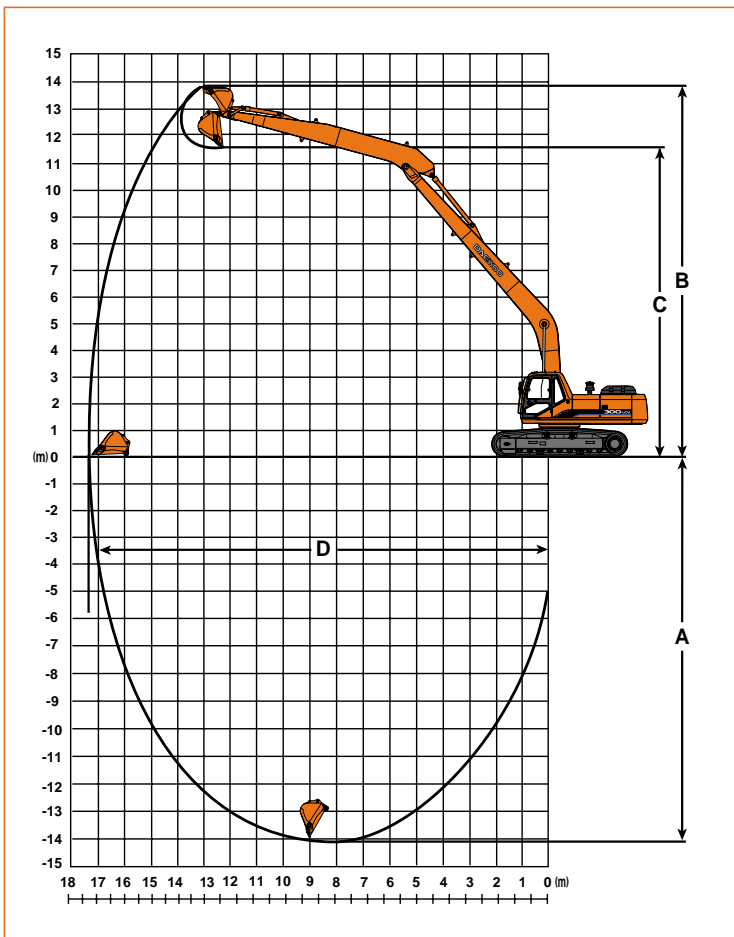
DAEWOO

Dimensions & Working Ranges

DIMENSIONS (mm)



WORKING RANGES



The illustrations do not necessarily show the product in standard version. All products and equipments are not available in all market. Materials and specifications are subject to change without prior notice.

SOLAR 300LCV SLR

OPERATING WEIGHT		kg	30.700
BUCKET			
Capacity	SAE	m ³	0,45/0,54
Width		mm	1.500 / 1.800
ENGINE			
Model			DE08TIS
Displacement (Total dis. volume)		cc	8.071
Rated power/R. P. M.		Hp/rpm	197 / 1.900
		kW/rpm	147 / 1.900
WORKING RANGE			
(A) Max. digging depth		mm	13.840
(B) Max. cutting height		mm	14.100
(C) Max. dumping height		mm	11.790
(D) Max. digging radius		mm	17.440
Rear-and swing radius		mm	3.200
PERFORMANCE			
Max. digging force	Bucket	kgf	8.400
* At power boost	Arm	kgf	7.400
Traveling speed		km/h	5,0 / 3,0
Swing speed		rpm	10,1
Drawbar pull		kg	23.100 / 13.400
HYDRAULICS			
Pump	Type		variable Axial Piston
Max. flow rate		l/min	2 x 246
Main relief set pressure		kg/cm ²	350 / 330
TRACK			
Shoe width		mm	600
Tumbler distance		mm	4.010
CONTROL			
Lever control type			Hydraulic pilot
Lever pattern			ISO
TANK			
Fuel tank		l	450
Hydraulic tank		l	290
GROUND PRESSURE		kg/m ²	0,59

DAEWOO

Seoul Office
9th Floor, Daewoo Heavy Industries & Machinery Ltd. Bldg.
14-34, Youido-dong, Youngdungpo-gu
150-010, Seoul Korea
Mail : C. P. O Box 7955 Seoul, Korea.
Tel : +82 2 2167-3114
Fax : +82 2 785-2677
Website : www.dhiltl.co.kr

Euro Daewoo S. A.
1A Rue Achille Degrâce,
7080 Frameries, Belgium
Tel : +32 65 61 32 30
Fax : +32 65 67 73 38

Euro Daewoo France
2/4, Rue Pavlov, Z.I. des Bruyères
78190 Trappes
Tel. +33 1 30 16 21 41
Fax +33 1 30 16 21 44

Euro Daewoo UK
Daewoo House Unit 6.3
Nantgarw Park Cardiff
CF4 7QU, U.K
Tel : +44 1443 842273
Fax : +44 1443 841933

Daewoo Maschinen Vertriebs GmbH
Hans-Böckler-Str. 27-29.
40764 Langenfeld, Germany
Tel : +49 2173 8509 18
Fax : +49 2173 8509 45

www.eurodaewoo.com