

# SOLAR 210wv

## MATERIAL HANDLING

Operating Weight: 19.500 ~ 21.200 kg

Engine Power: 115 kW (155 Hp) / 2.200 rpm

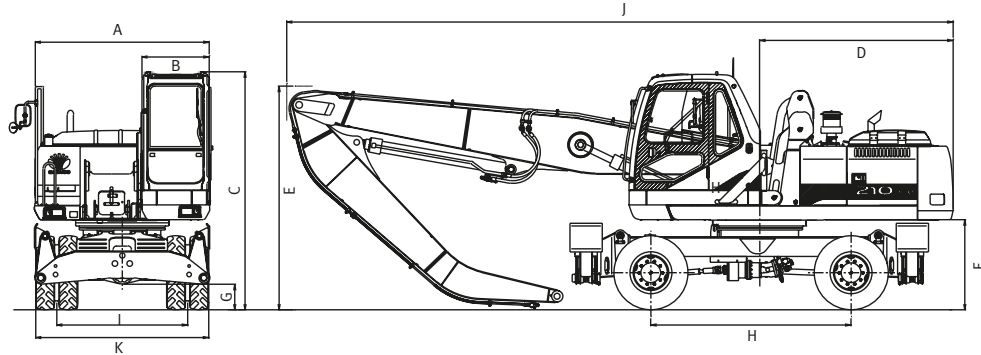


[www.eurodaewoo.com](http://www.eurodaewoo.com)

**DAEWOO**  
Tracing the Way

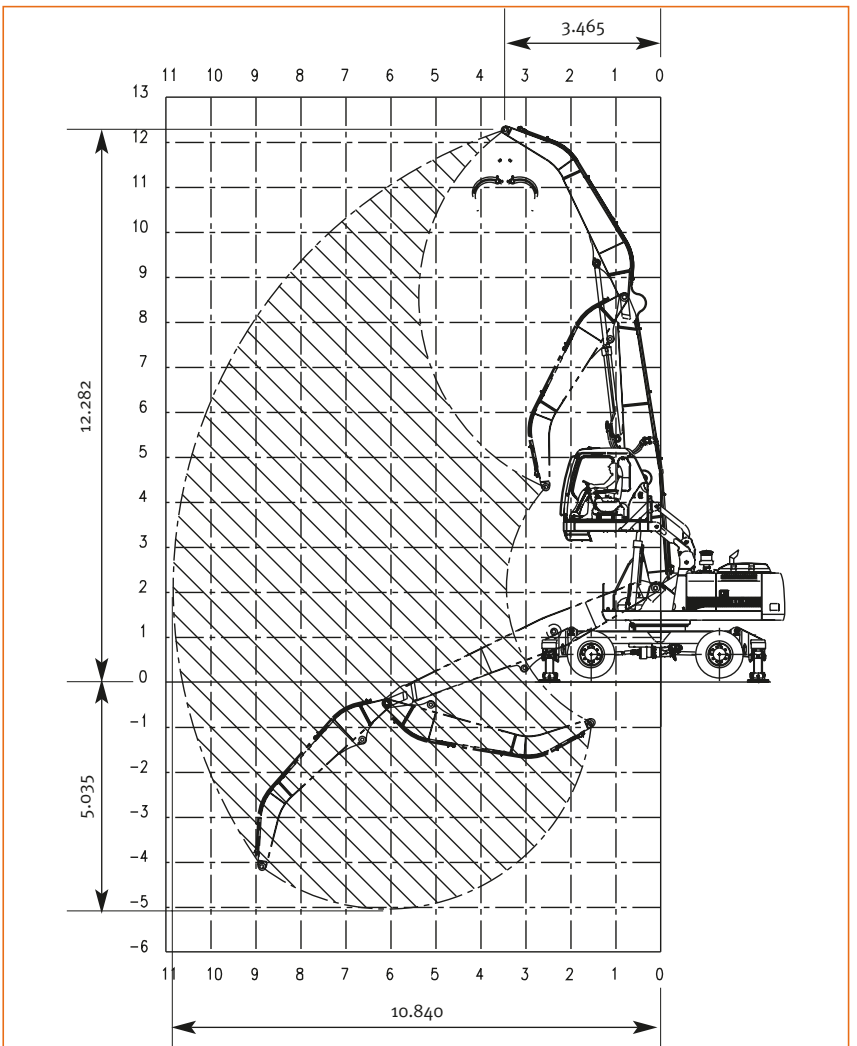
# Dimensions & Working Ranges

## DIMENSIONS



A	Overall width of upper structure	2.494 mm
B	Overall width of cab	960 mm
C	Overall height of cab	3.387 mm
D	Tail swing radius	2.750 mm
E	Overall height of boom	3.181 mm
F	Clearance under counterweight	1.254 mm
G	Ground clearance	340 mm
H	Wheel base	2.850 mm
I	Tread	1.874 mm
J	Overall length	9.484 mm
K	Overall tire width with fender <i>10.00-20-14PR Double tire</i>	2.496 mm

## WORKING RANGES

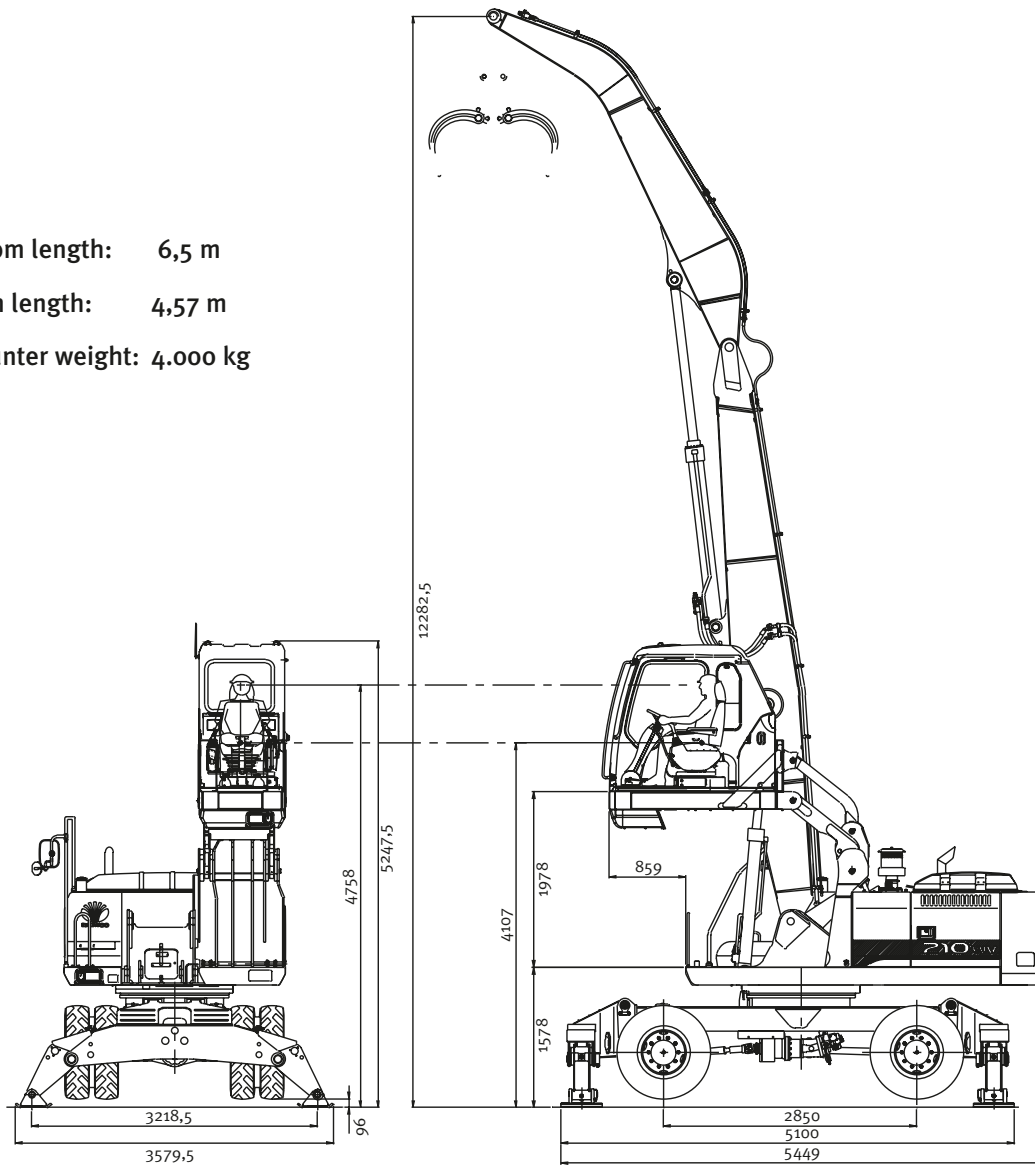


## DIMENSIONS

Boom length: 6,5 m

Arm length: 4,57 m

Counter weight: 4.000 kg



## MATERIAL HANDLING

### Seoul Office

9th Floor, Daewoo Heavy Industries & Machinery Ltd. Bldg.  
14-34, Youido-dong, Youngdungpo-gu  
150-010, Seoul Korea  
Mail: C. P. O Box 7955 Seoul, Korea  
Tel. +82 2 2167-3114 Fax +82 2 785-2677  
Website: www.dhiltltd.co.kr

### Euro Daewoo S. A.

1A Rue Achille Degrâce,  
7080 Frameries, Belgium  
Tel. +32 65 61 32 30 Fax +32 65 67 73 38

### Euro Daewoo France

2/4, Rue Pavlov, Z.I. des Bruyères  
78190 Trappes, France  
Tel. +33 1 30 16 21 41 Fax +33 1 30 16 21 44

### Euro Daewoo UK

Daewoo House Unit 6.3 Nantgarw Park Cardiff  
CF4 7QU, U.K.  
Tel. +44 1443 842273 Fax +44 1443 841933

### Daewoo Maschinen Vertriebs GmbH

Hans-Böckler-Str. 27-29  
40764 Langenfeld, Germany  
Tel. +49 2173 8509 18 Fax +49 2173 8509 45  
Website: www.daewoobaumaschinen.de



The illustrations do not necessarily show the product in standard version. All products and equipments are not available in all market.  
Materials and specifications are subject to change without prior notice.

S210WV\_MH\_UK\_02/05